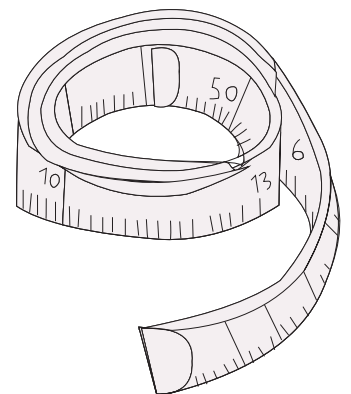
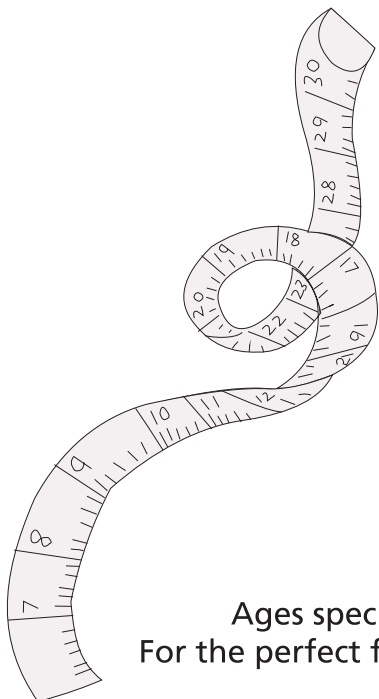


Charles Kirk Knitwear

Label Size	Approx Age
22" 56cm	2/3
24" 61cm	4/5
26" 66cm	5/6
28" 71cm	7/8
30" 76cm	9/10
32" 81cm	11
34" 86cm	12
36" 91cm	13
38" 97cm	14
40" 102cm	15
42" 107cm	16+
44" 112cm	16+
46" 117cm	16+
48" 122cm	16+



Ages specified are for guidance only, as children differ in shape and size. For the perfect fit, remember that Charles Kirk labels reflect the actual measurement of the garment and are not a 'to fit' size.